

# FIAT 124 SPIDER 1978

Wiring Diagrams

Bradley Artigue

1<sup>st</sup> Edition

# Contents

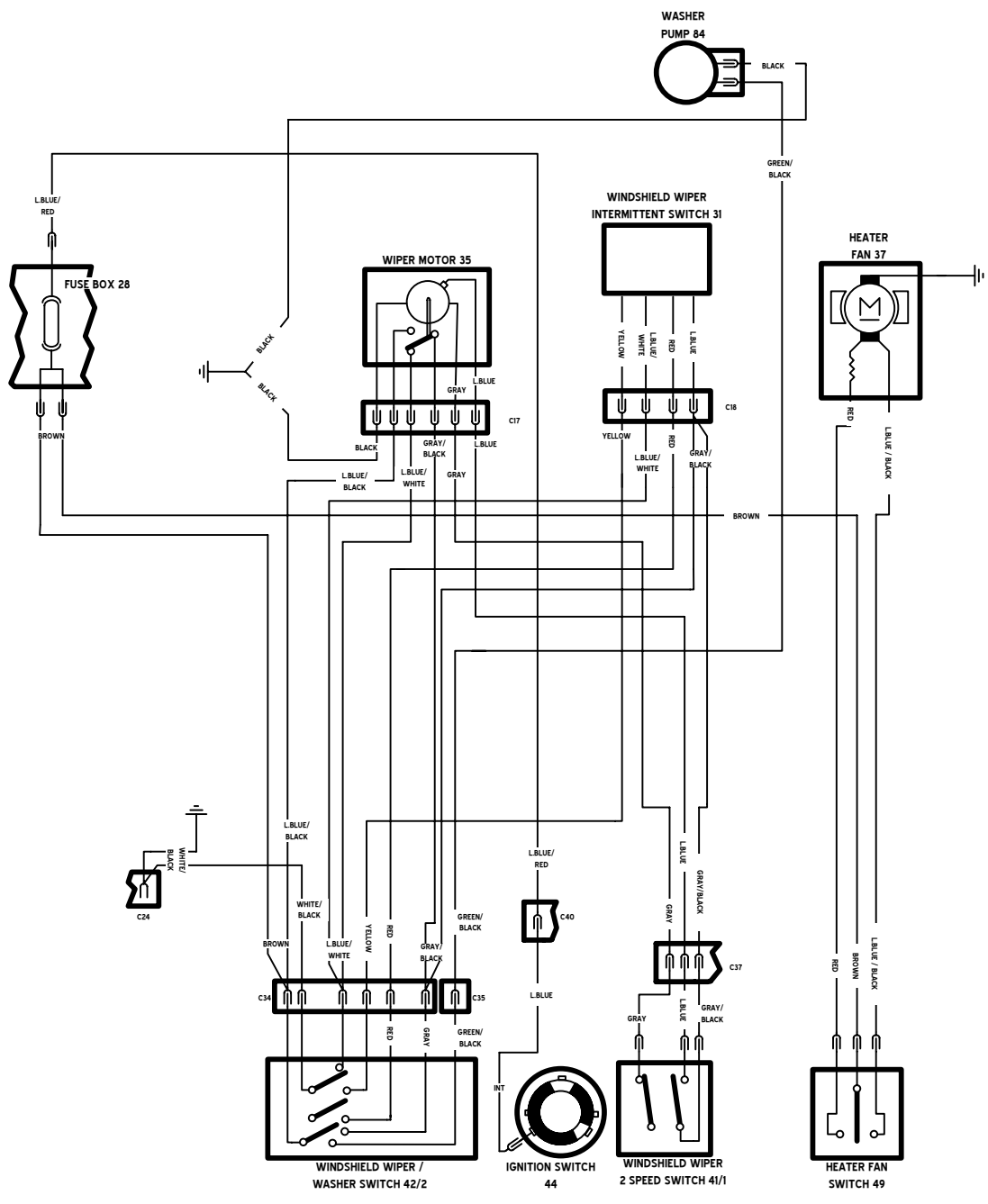
- 1 WINDSHIELD WASHER/WIPER AND HEATER CIRCUITS
- 2 INSTRUMENTS, INDICATORS, SEAT BELT AND REMOVE KEY WARNING, AND CIGARETTE LIGHTER
- 3 PARKING, LICENSE PLATE, SIDE MARKER LIGHTS, BACK-UP AND STOPLIGHTS, INTERIOR AND COURTESY LIGHTS, AND HORN CIRCUIT
- 4 IGNITION, IDLE FLOW SHUT OFF, DIVERTER VALVE BY-PASS, FAST IDLE CIRCUITS
- 5 STARTING, ALTERNATOR, ENGINE COOLING FAN, AND POWER DISTRIBUTION CIRCUITS
- 6 HIGH BEAMS AND LOW BEAMS AND RADIO CIRCUITS
- 7 HAZARD AND TURN SIGNAL CIRCUITS
- 8 RELAY LOCATIONS

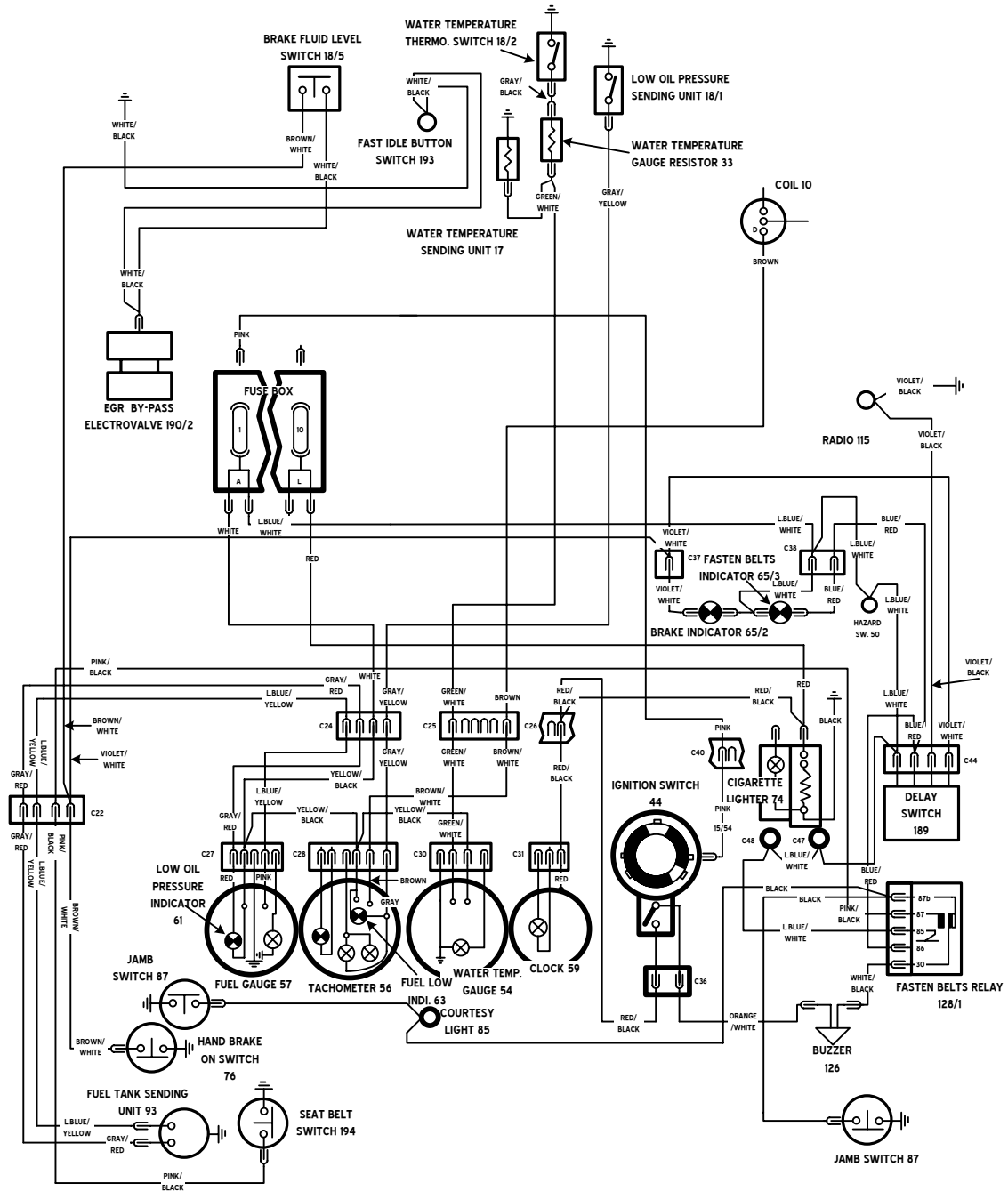
The diagrams in this document are entirely vector-based. This means that they can be scaled to virtually any size and printed from computers that run Adobe Acrobat. This includes Windows, Macintosh, UNIX, and Linux. The quality of the images will not degrade upon scaling and the file format is supported by most office printing facilities (such as Kinko's). The drawings have been printed as large as 60 inches tall (5 feet) by the author on a Hewlett-Packard Designjet plotter with fantastic results.

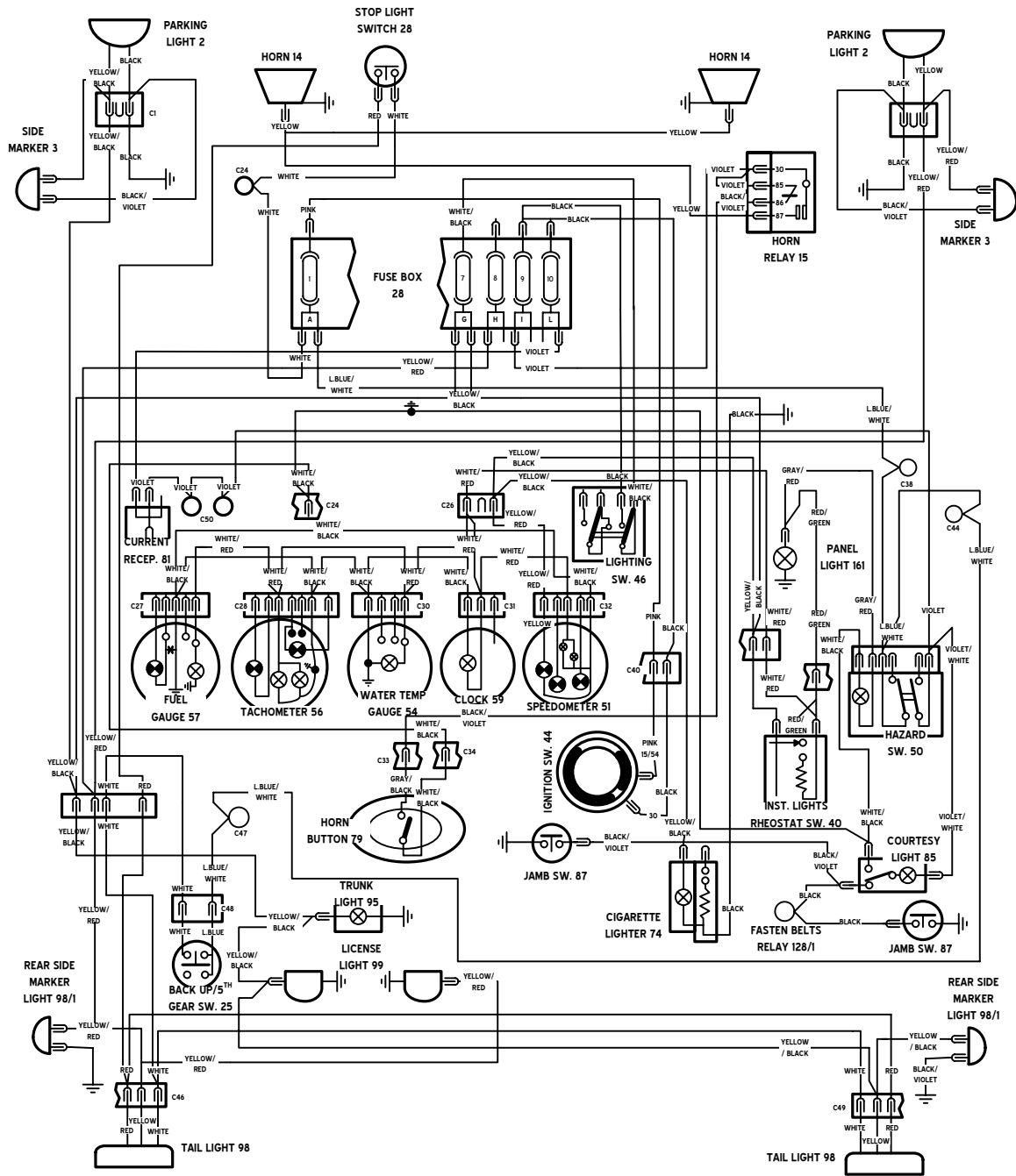
If you find errors in these documents or wish to provide comments please email [brad@artigue.com](mailto:brad@artigue.com). This document was released in February of 2008.

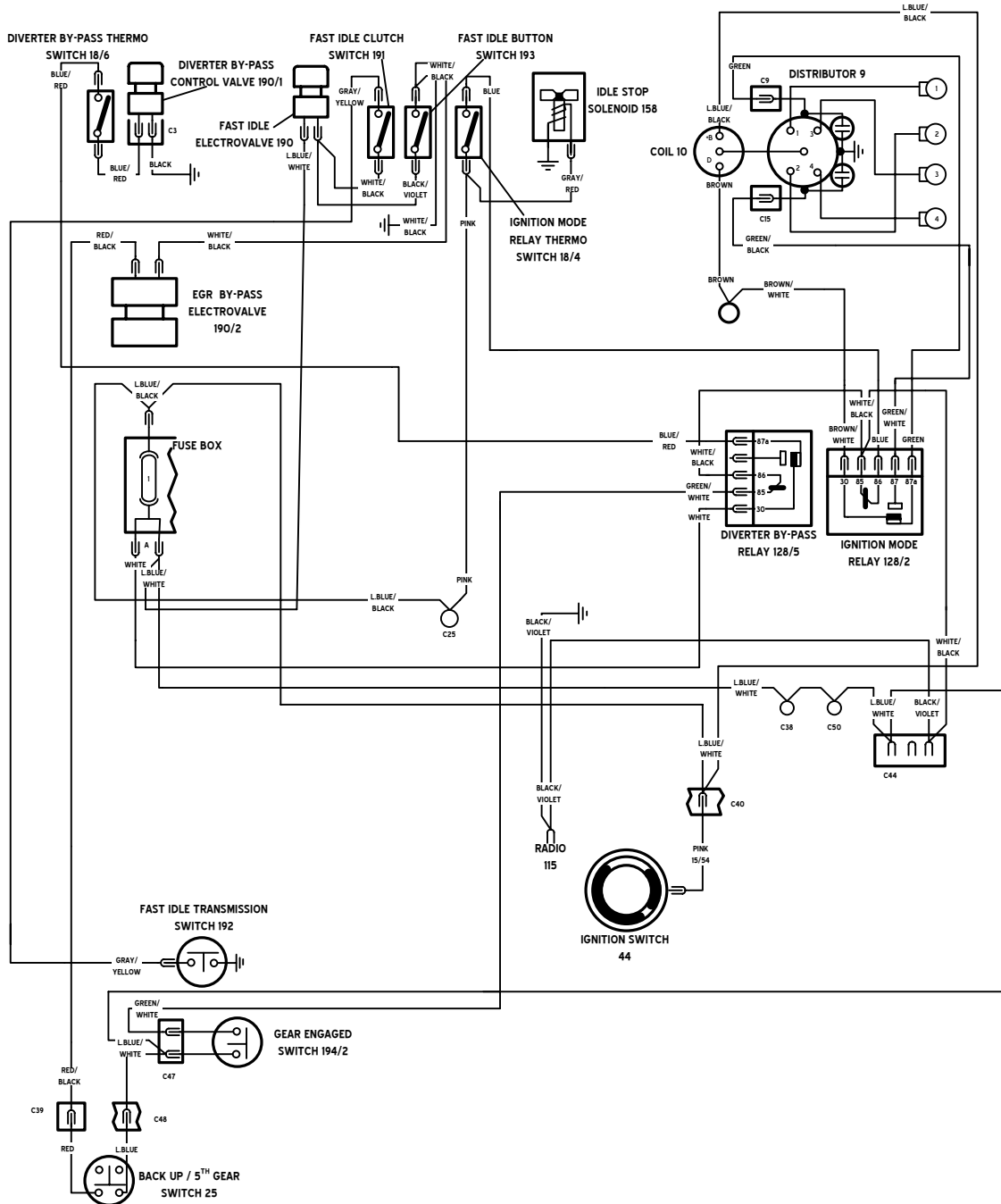
Mirafiori is a FIAT enthusiast resource and online forum that has been operating since 1993. <http://www.mirafiori.com>

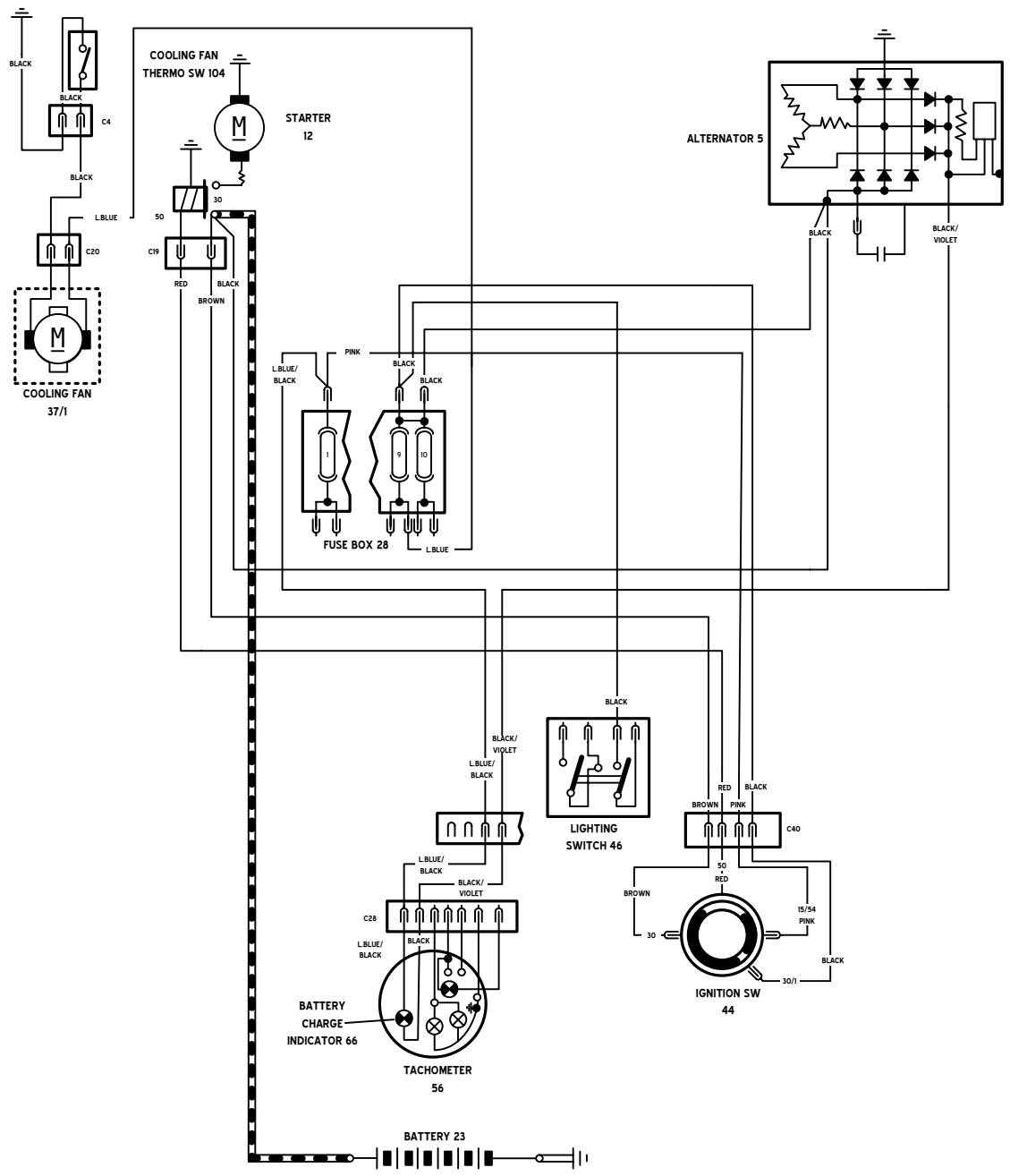
The online home for this document is at <http://www.artigue.com/ fiat>.

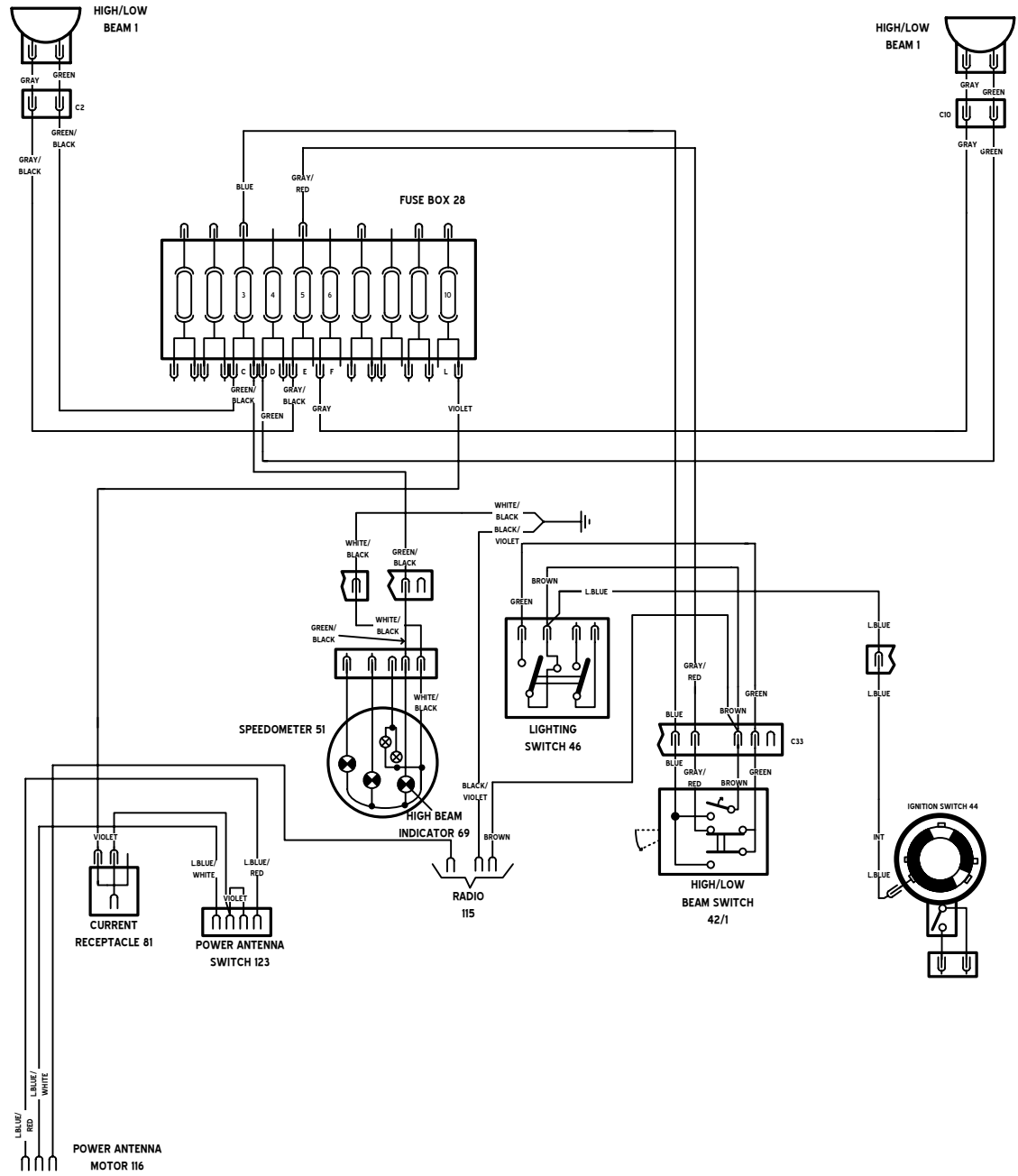




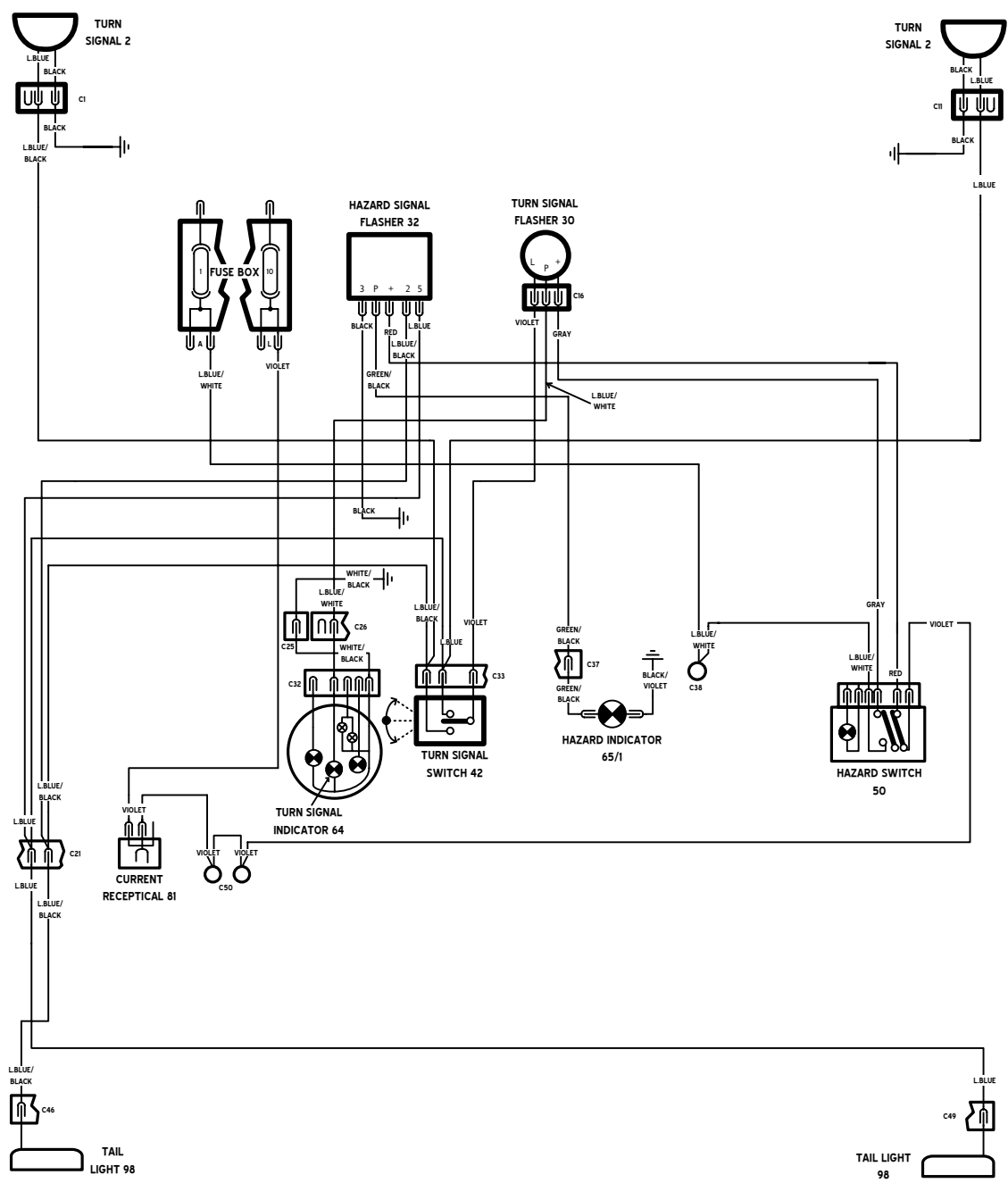


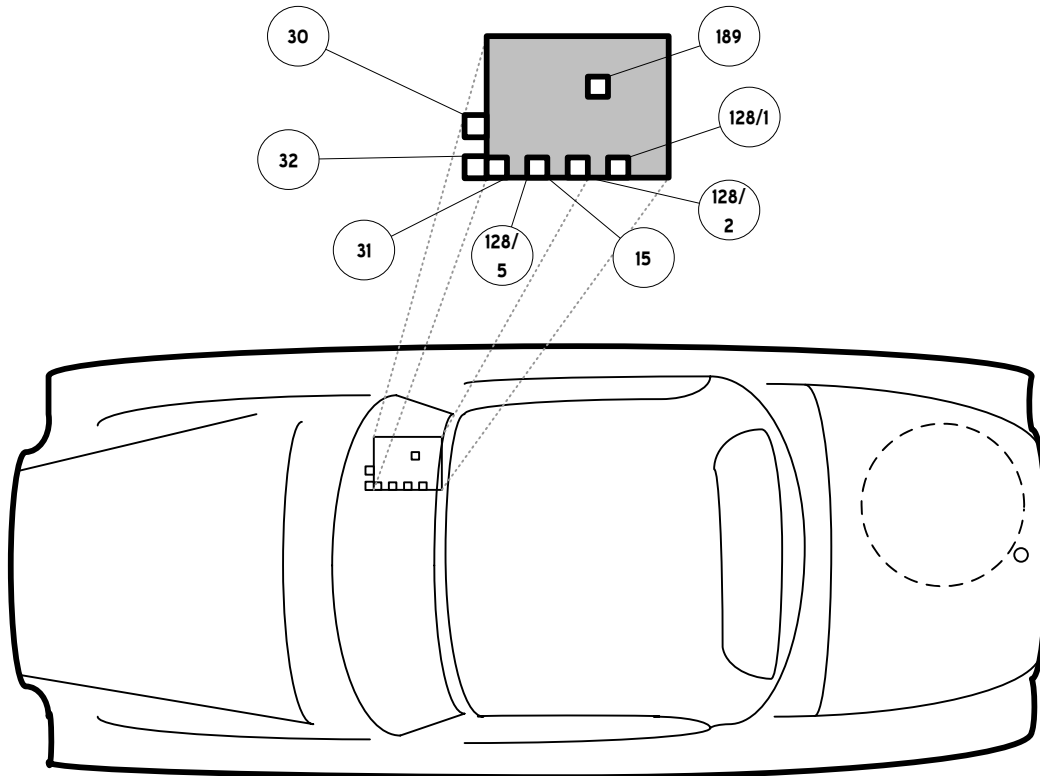












189	SEAT BELT WARNING DELAY SWITCH
128/1	FASTEN BELTS RELAY
128/2	IGNITION MODE RELAY
15	HORN RELAY
128/5	DIVERTER VALVE BY-PASS RELAY (CALIFORNIA ONLY)
31	WINDSHIELD WIPER INTERMITTENT SWITCH
32	HAZARD WARNING FLASHER
30	TURN SIGNAL FLASHER